

BTE 15/25.04 Roof Mounted Earthing Switch



The **BTE** earthing switch is a double pole, manual operated device with safety interlocking keys, designed to ground the circuits on both sides of the roof mounted AC vacuum circuit breaker type BVAC.

The earthing is achieved through two knives connecting together the traction and the earthing circuits once the BVAC is open.

Main features

- Nominal voltage up to 25 kVac
- Rated thermal current 400 A
- Minimum maintenance requirements
- High short-circuit withstand current
- Two or three interlocking KABA keys in standard execution

Designation code (standard version)

				BTE 15 04 0 L 1A1B 0 0	
Earthing switch		BTE			
Nominal voltage	15 kV	15			
	25 kV	25			
Thermal current	400 A	04			
Operating handle position	0°	0			
	180°	1			
Operating handle length	210 mm	L			
Key and lock configuration	1A+1B (1Blue +1Yellow)	1A1B			
	1B+1C (1Yellow +1Green)	1B1C			
	1A+2B (1 Blue + 2Yellow)	1A2B			
	1B+2C (1Yellow + 2 Green)	1B2C			
Key and lock codification	No	0			
Auxiliary contacts	0	0			

For other available options refer to the "options" chapter of this catalogue.

Note: when ordering spare BTE version delivered before March 2006, provide Sécheron with the part number of the delivered product.

Technical data

	Symbol	Unit	BTE 15.04	BTE 25.04
MAIN CIRCUIT				
Nominal Voltage	U_n	[kVac]	15	25
Rated operational voltage	U_e	[kVac]	18	29
Conventional free air thermal current	I_{th}	[A]	400	400
Peak withstand current	I_{cw}	[kA]	63	63
Rated short-time withstand current	I_{cw}	[kA]	25	25
Rated short-time withstand current duration		[s]	1	1

AUXILIARY CONTACTS (OPTION)

Rated voltage (potential free contacts)	[Vdc]	Maximum 110	Maximum 110
Maximum breaking current			
- Ohmic load at 110 Vdc	[A]	1	1
Minimum let-through current at 24 Vdc (1)	[mA]	20	20

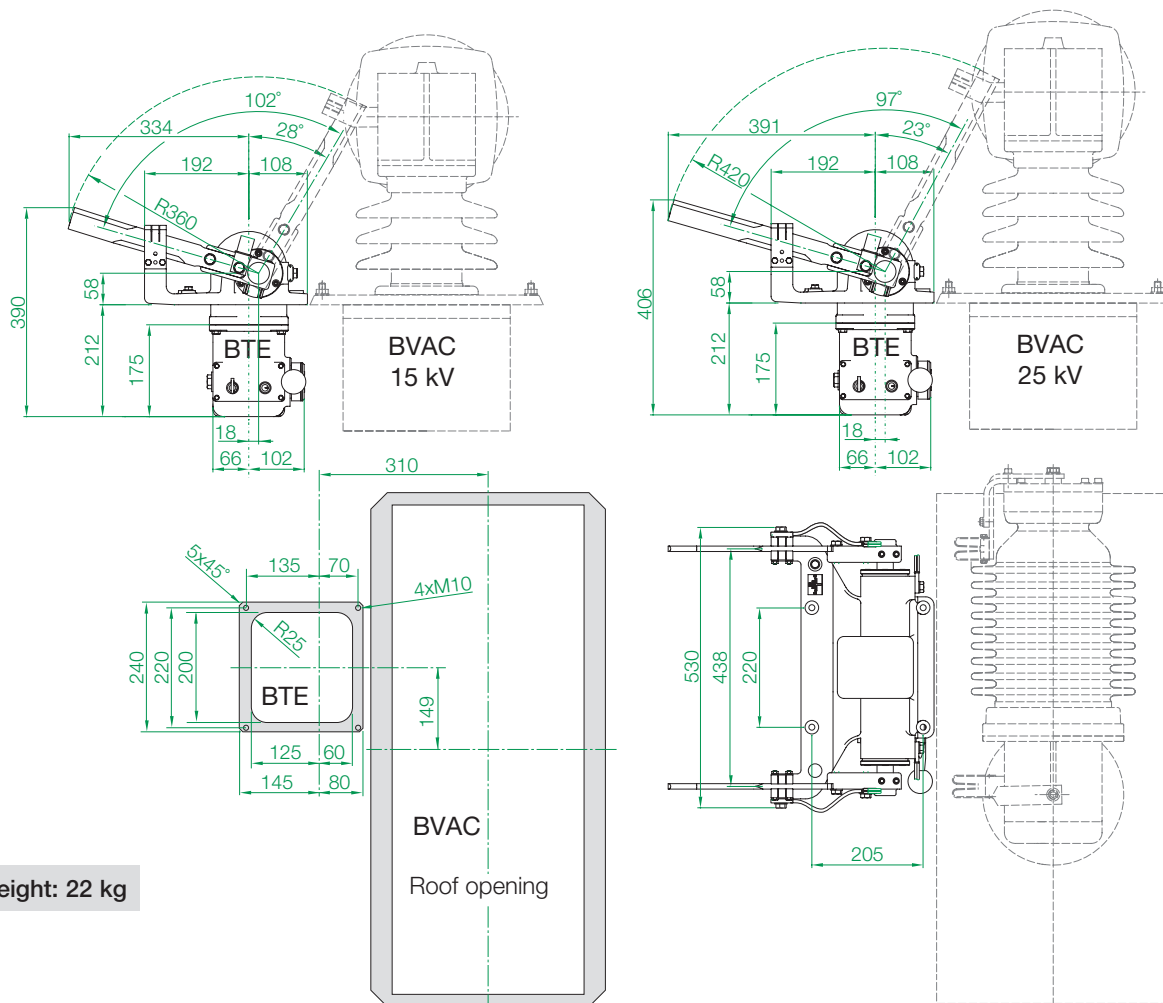
(1) For a clean and dry environment

OPERATING CONDITIONS

Installation			Outdoors	Outdoors
Ambient temperature outdoors	T_{amb}	[°C]	-40 to +70	-40 to +70
Minimum mechanical durability	N	operations	20 000	20 000

Compliant to IEC 60077-1 & 2 standards

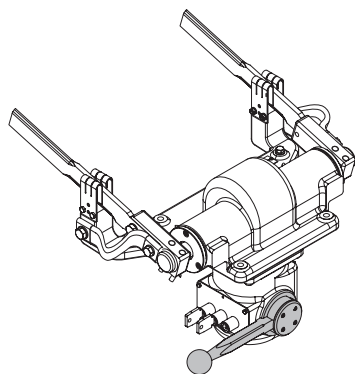
Main dimensions (standard version)



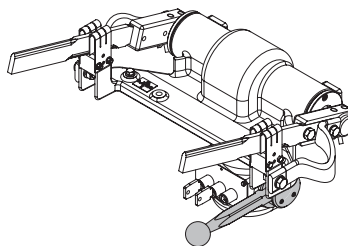
Options (subject to additional costs)

	Description	Designation code
Operating handle position ¹⁾	90°	2
Operating handle length	117 mm	S
	185 mm	M
Key and lock codification	yes (1 code per unit)	1
Auxiliary contacts	1NO + 1NC	1
	2NO + 2NC	2

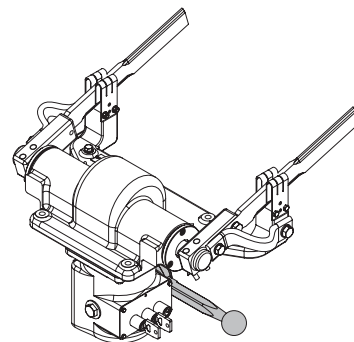
(1) Operating handle position



0°



90°



180°